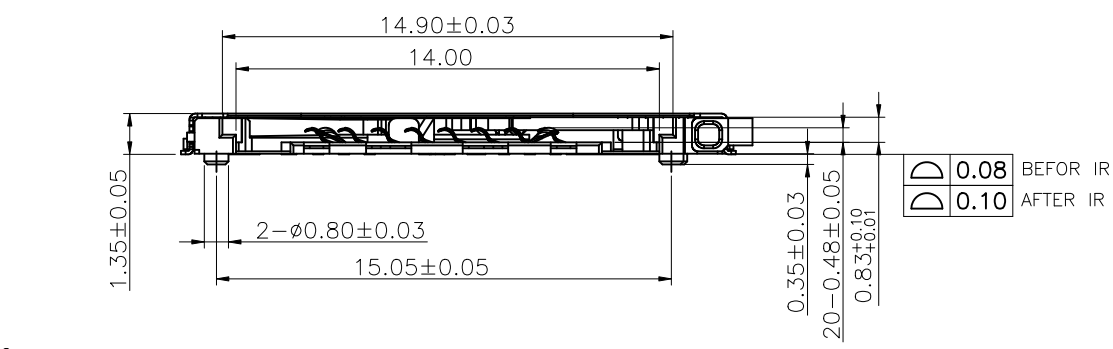
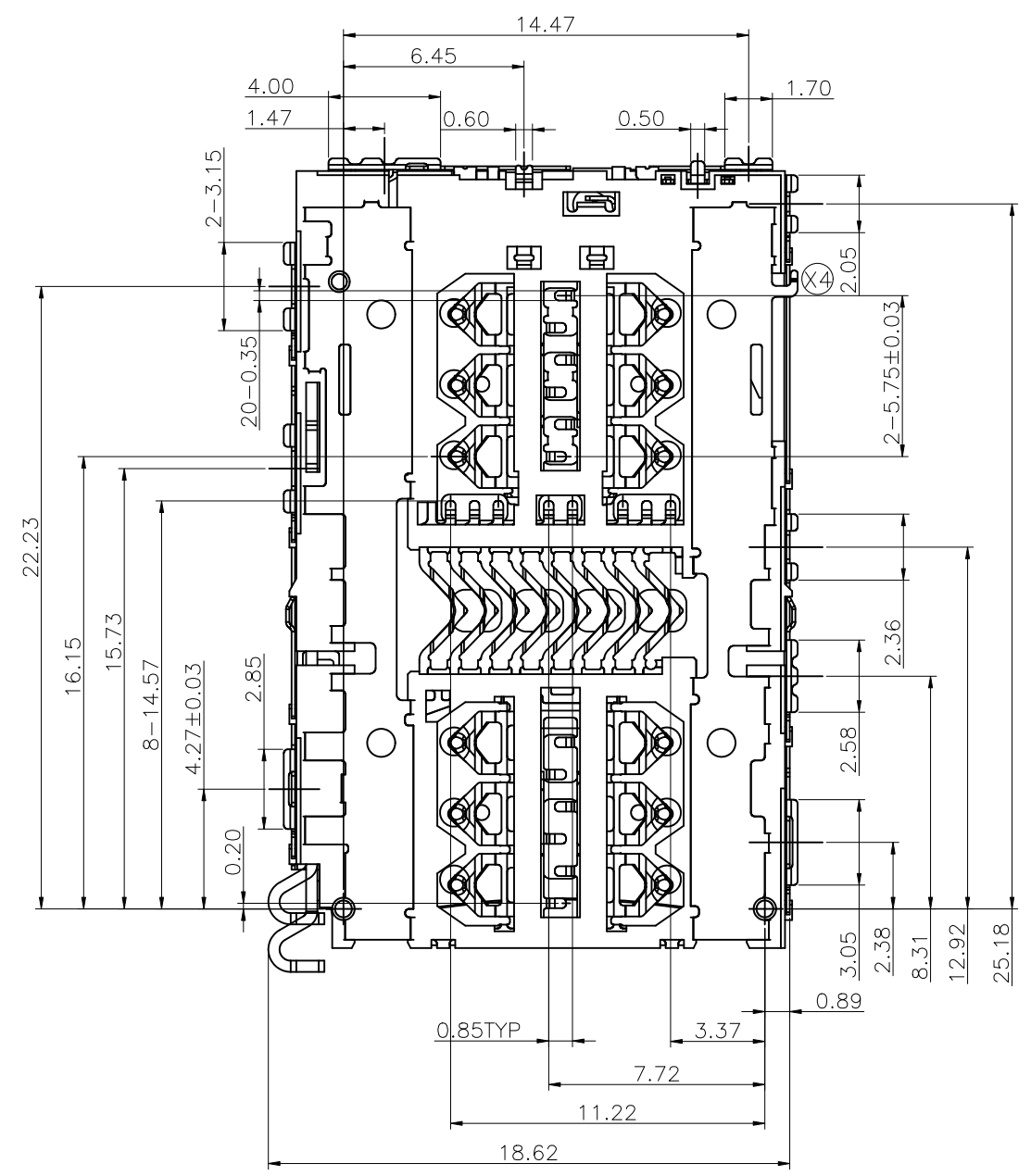
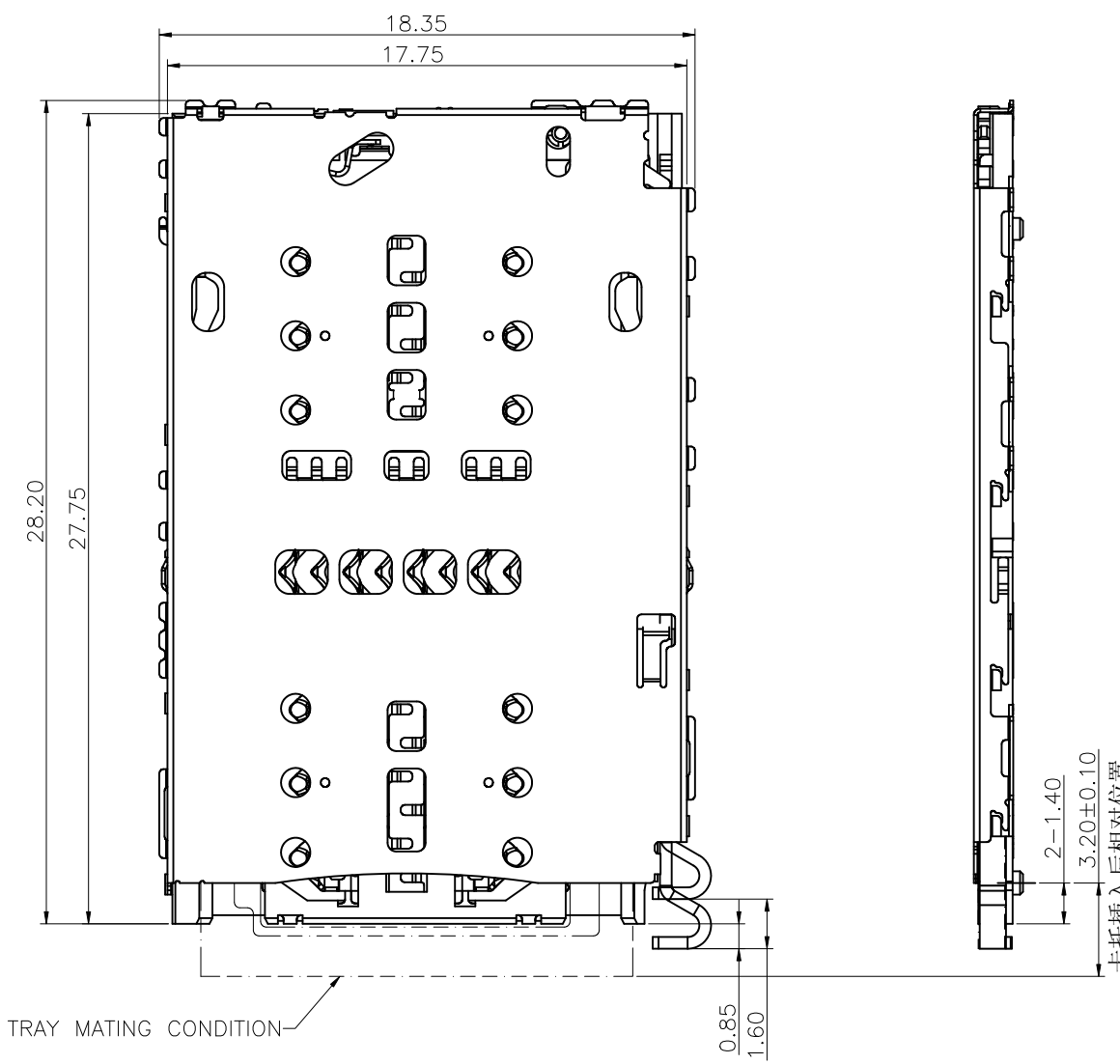


REV	ECN NO	DESCRIPTION	DATE	APPD
X4		修改端子连接器接地方式;增加材质说明	2015.09.15	



NOTES:  
 1.PLATING:  
 CONTACT AREA 10u" Au Min; DETECT PIN CONTACT AREA 5u" MIN;  
 SOLDER AREA G/F;  
 2.ELECTRICAL REQUIREMENTS:  
 CURRENT RATING:0.3A PER PIN;  
 CONTACT RESISTANCE:INITIAL 60 mohm MAX.FINAL 100 mohm MAX.  
 DETECT PIN RESISTANCE:INITIAL 100 mohm MAX.FINAL 150 mohm MAX.  
 INSULATION RESISTANCE:INITIAL 1000 Mohm MIN.200 VDC FOR 1 MINUTE.  
 WITHSTANDING VOLTAGE:500V AC FOR 1 MINUTE.  
 3.MECHANICAL REQUIREMENTS:  
 MATING FORCE:2~10N;UNMATING FORCE:4~10N;  
 OPERATING FORCE:4~10N;  
 DURABILITY:3000 CYCLES MIN.  
 4.PLEASE DO NOT MATING TRAY WHEN THE SOCKET IS NOT MOUNTING ON THE PCB.

6	铁壳	1.055S0-000-*R6	SUS301 H	1
5	LATCH	1.055M1-000-OR1 1.055M2-000-OR1	SUS301 H	1
4	推杆	1.055S1-000-*R6	SUS301 H	1
3	CAM	1.055S2-000-*R6	SUS301 1/2H	1
2	开关端子	1.055T1-000-*R6	SUS301 H	1
1	HOUSING	1.055M0-000-*R0	LCP	1
项目	零件名称	零件料号	材质	用量

EXTEND USE		UNIT mm	TITLE
CARD SERIES 3 CHOOSE 2 PIN PUSH TYPE			
GENERAL TOLERANCE		MATERIAL	APPD
DIMENSION	ANGLES		
.0 ±0.25	. ±3'	QTY	CHD
.0 ±0.15	.0 ±2'		
.00 ±0.10	.00 ±1'		
.000 ±0.05		FINISHED	DRN

TITLE			
1.055A0 CONN. Customer Drawing			
DWG NO		1.055A0	
P/N:		1.055A0-021-5R0	
SHEET	SCALE	REV	
1/2	1:1	X4	

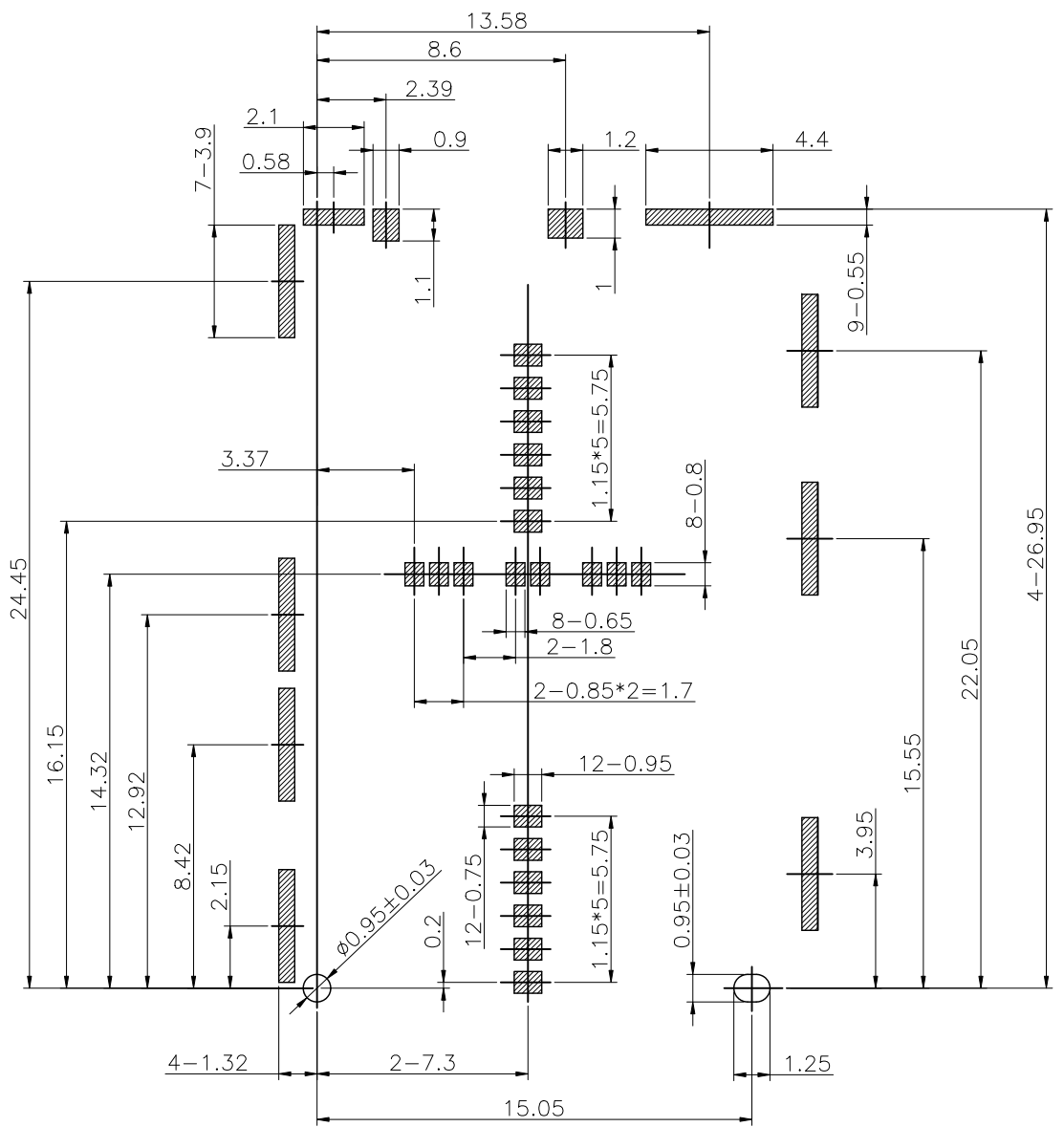
(X4)

CONNECTOR PIN DEFINE

ITEM	FUNCTION
MICRO SD CARD	
P1	DAT2 OF MSD
P2	CD/DAT3 OF MSD
P3	CMD OF MSD
P4	VDD OF MSD
P5	CLK OF MSD
P6	VSS OF MSD
P7	DAT0 OF MSD
P8	DAT1 OF MSD
SW	TRAY DECTION SW
S	SHIELD GND
NANO SIM CARD	
C1	VCC OF SIM
C2	RST OF SIM
C3	CLK OF SIM
C5	GND OF SIM
C6	VPP OF SIM
C7	DATA OF SIM

CARD PIN DEFINE

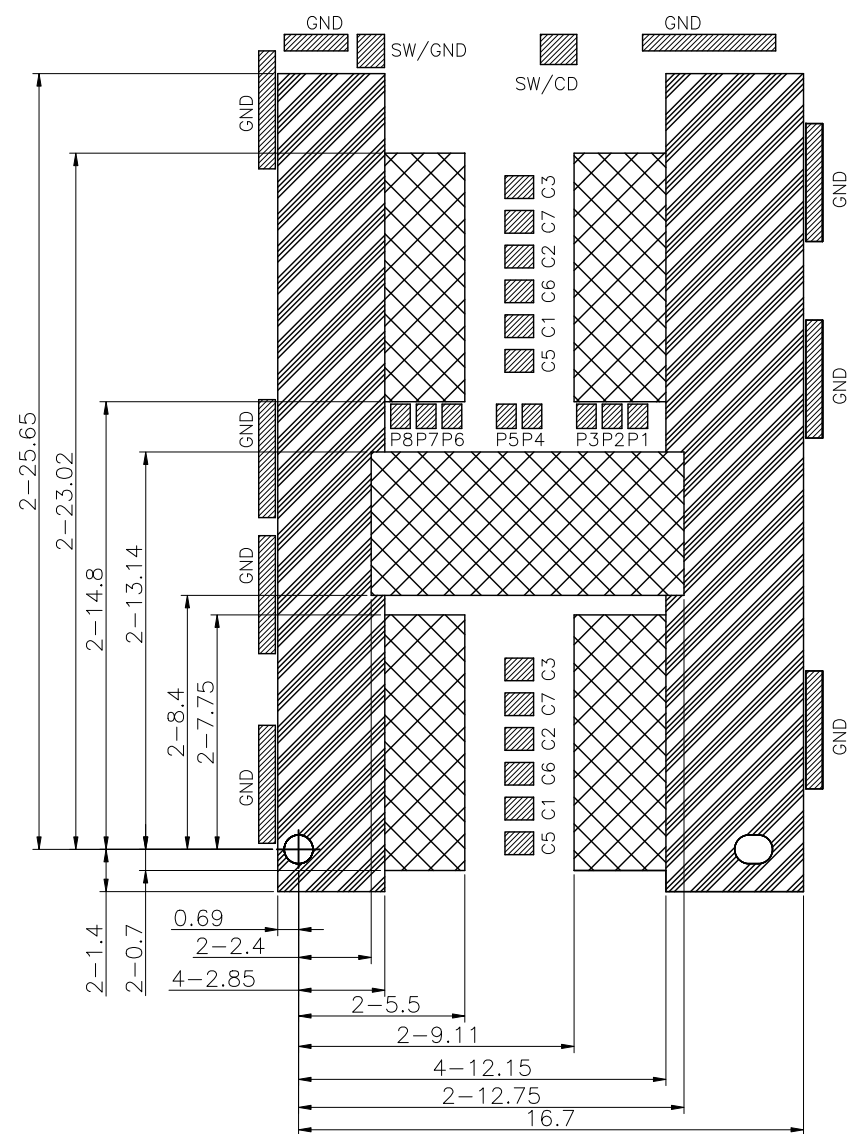
ITEM	FUNCTION
MICRO SD CARD	
P1	DAT2 OF MSD
P2	CD/DAT3 OF MSD
P3	CMD OF MSD
P4	VDD OF MSD
P5	CLK OF MSD
P6	VSS OF MSD
P7	DAT0 OF MSD
P8	DAT1 OF MSD
NANO SIM CARD	
C1	VCC OF SIM
C2	RST OF SIM
C3	CLK OF SIM
C5	GND OF SIM
C6	VPP OF SIM
C7	DATA OF SIM



RECOMMEND PC BOARD LAYOUT

TOLERANCE:±0.05

SOLDER AREA

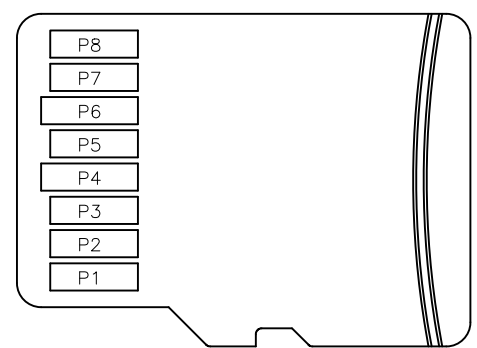


RECOMMEND PC BOARD LAYOUT

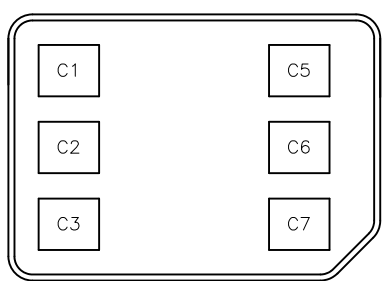
TOLERANCE:±0.05

信号修线禁布区域

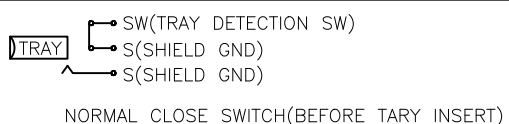
信号修线禁布区域, 可以布接地线



MICRO SD CARD



NANO CARD



EXTEND USE CARD SERIES 3 CHOOSE 2 PIN PUSH TYPE		TITLE	
		UNIT mm	
GENERAL TOLERANCE	MATERIAL	APPD	DWG NO
DIMENSION	ANGLES	QTY	1.055A0
. ±0.25	. ±3'	FINISHED	P/N:
.0 ±0.15	.0 ±2'	DRN	1.055A0-021-5R0
.00 ±0.10	.00 ±1'	DRN	SHEET
.000 ±0.05		Andrew 2015.09.15	SCALE
		2/2	1:1
			REV
		X4	